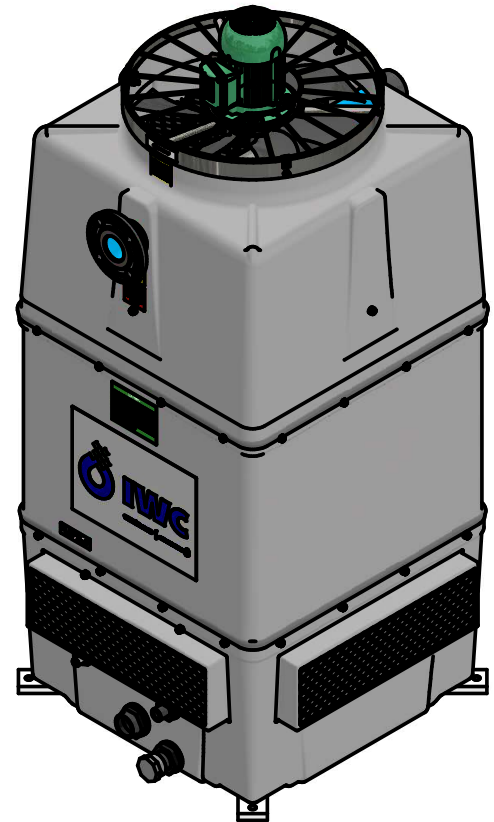
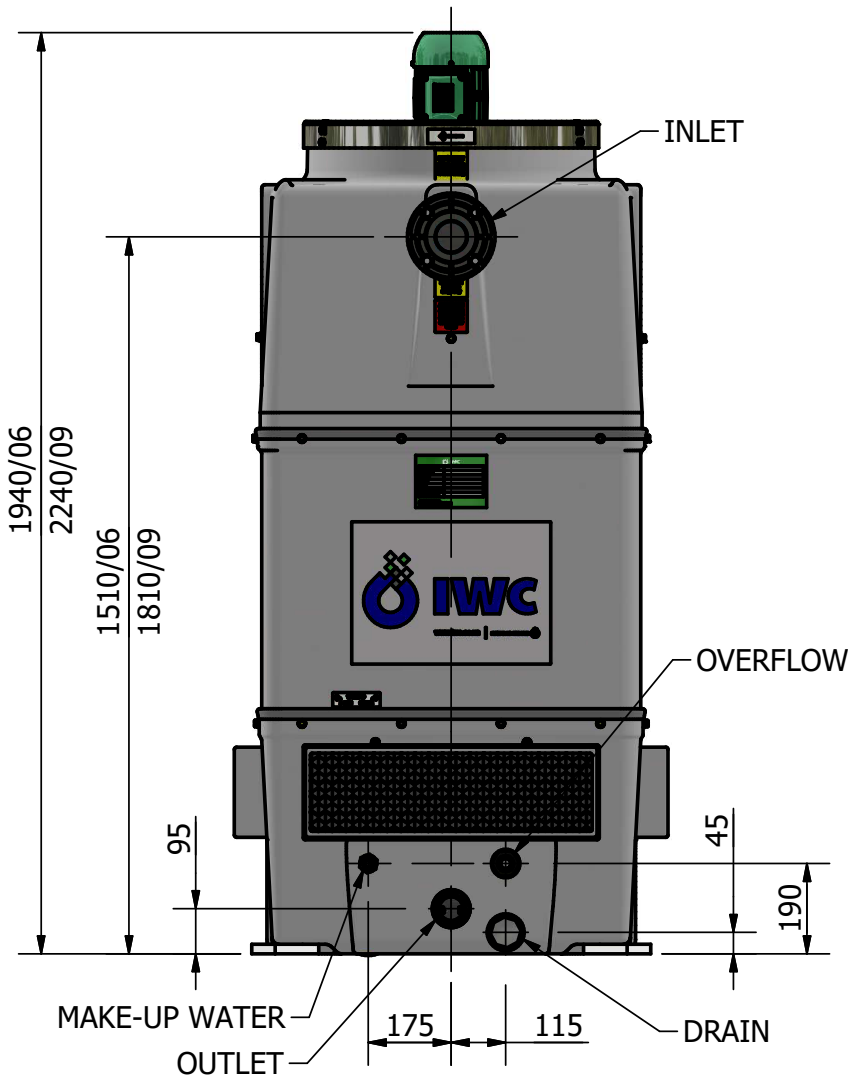


FOOTPRINT



MODEL	MOTOR SIZE	INLET SIZE	OUTLET SIZE	DRAIN SIZE	OVERFLOW SIZE	M/UP WATER SIZE	MAX. OPERATING WEIGHT	MAX. SHIPPING WEIGHT
EWK064/06-20	0.75kW	DN65 SANS 1123/1000	DN50 BSP (M)	DN40 BSP (M)	DN25 BSP (M)	DN15	240kg	100kg
EWK064/09-30				c/w CAP			260kg	115kg

Disclaimer: Please note all measurements are approximate sizes and may vary. All sizes will be confirmed on placement of order.