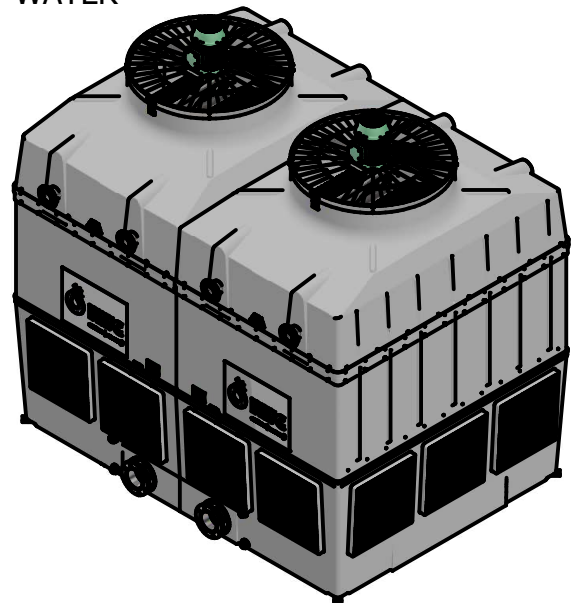
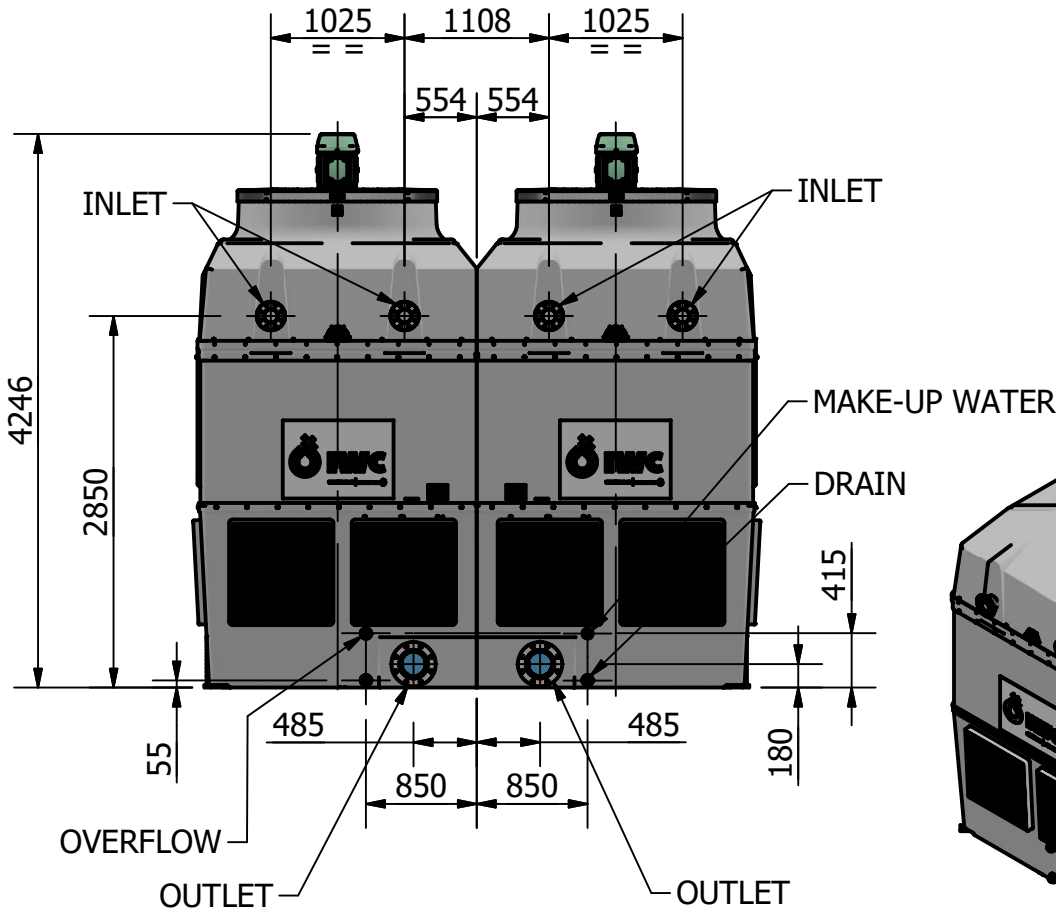


FOOTPRINT



MODEL	MOTOR SIZE	INLET SIZE	OUTLET SIZE	DRAIN SIZE	OVERFLOW SIZE	M/UP WATER SIZE	MAX. OPERATING WEIGHT	MAX. SHIPPING WEIGHT
EWK1262/13-20	7.5kW	DN100 SANS 1123/1000	DN200 SANS 1123/1000	DN50 DN50 BSP (M) c/w CAP	DN50 DN50 BSP (M)	DN50	6400kg	2800kg
EWK1262/13-30							6600kg	3000kg