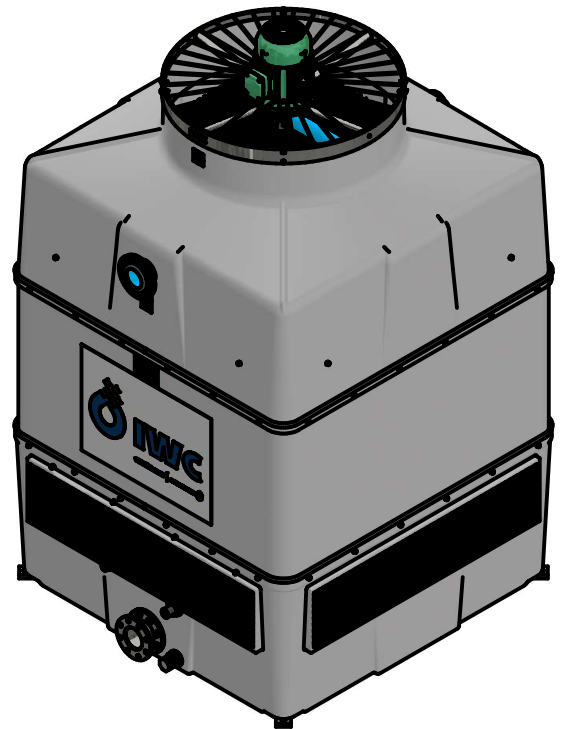
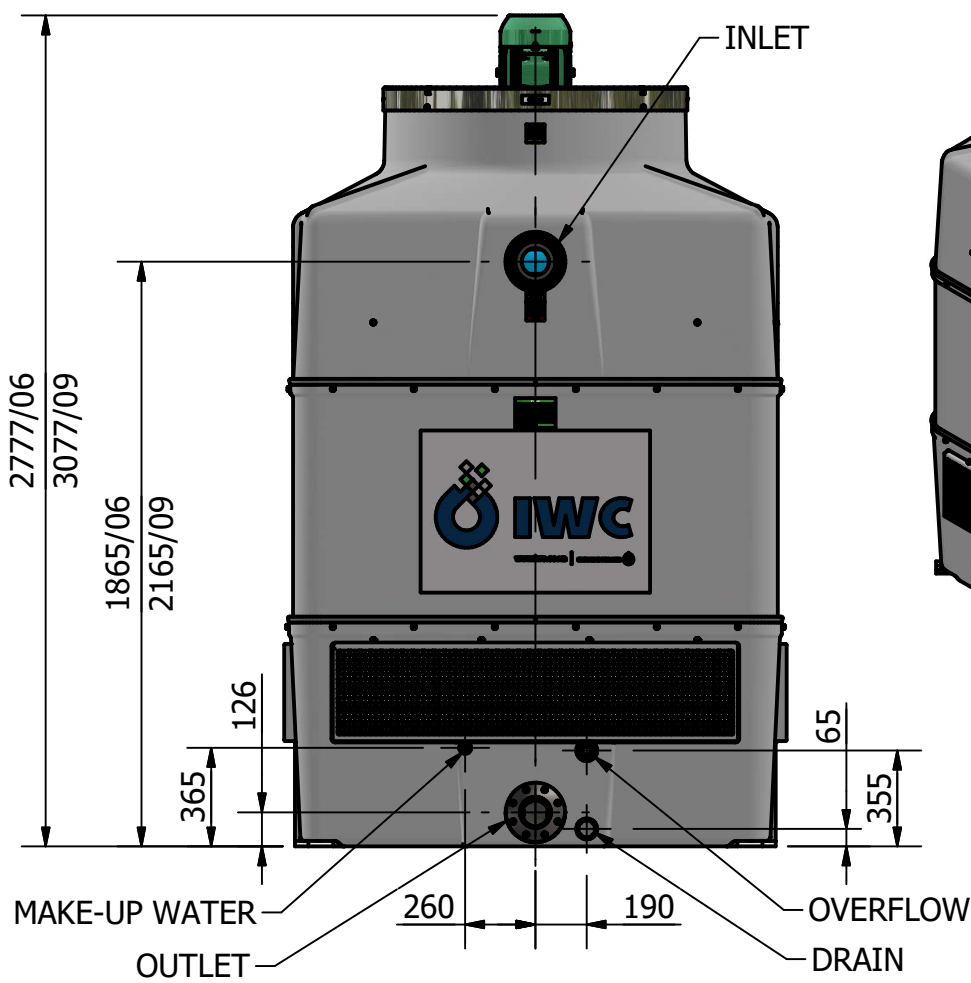


FOOT PRINT



MODEL	MOTOR SIZE	INLET SIZE	OUTLET SIZE	DRAIN SIZE	OVERFLOW SIZE	M/UP WATER SIZE	MAX. OPERATING WEIGHT	MAX. SHIPPING WEIGHT
EWK324/06-20	3kW	DN100 SANS 1123/1000	DN100 SANS 1123/1000	DN40 BSP (M)	DN40 BSP (M)	DN25	1557kg	440kg
EWK324/09-30				c/w CAP			1645kg	510kg