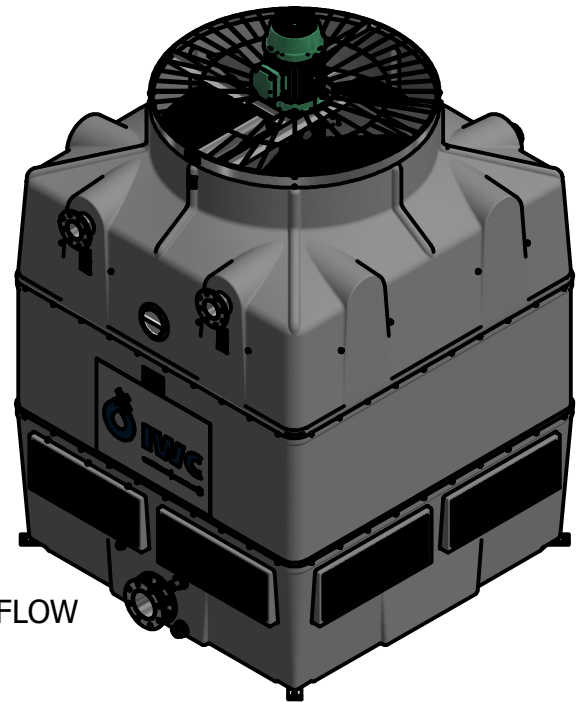
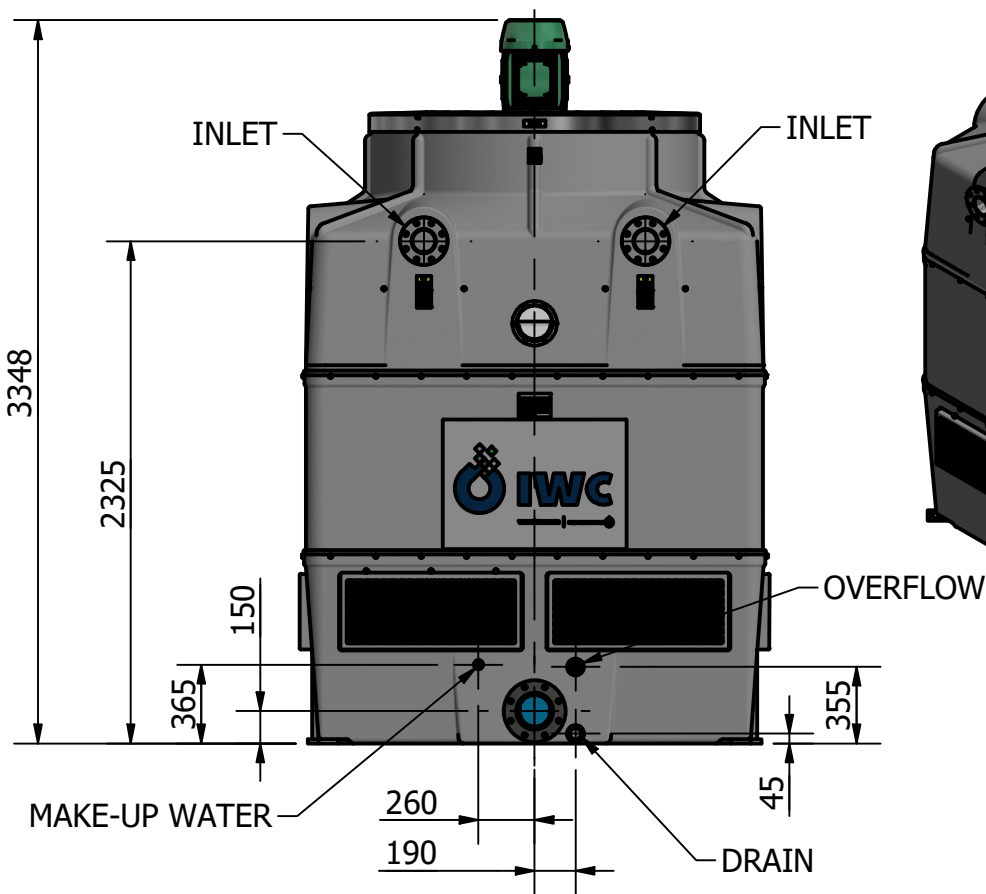


FOOTPRINT



MODEL	MOTOR SIZE	INLET SIZE	OUTLET SIZE	DRAIN SIZE	OVERFLOW SIZE	M/UP WATER SIZE	MAX. OPERATING WEIGHT	MAX. SHIPPING WEIGHT
EWK441/09-20	5.5kW	DN100 SANS 1123/1000	DN150 SANS 1123/1000	DN50 BSP (M) c/w CAP	DN40 BSP (M)	DN25	2170kg	840kg
EWK441/09-30							2190kg	860kg