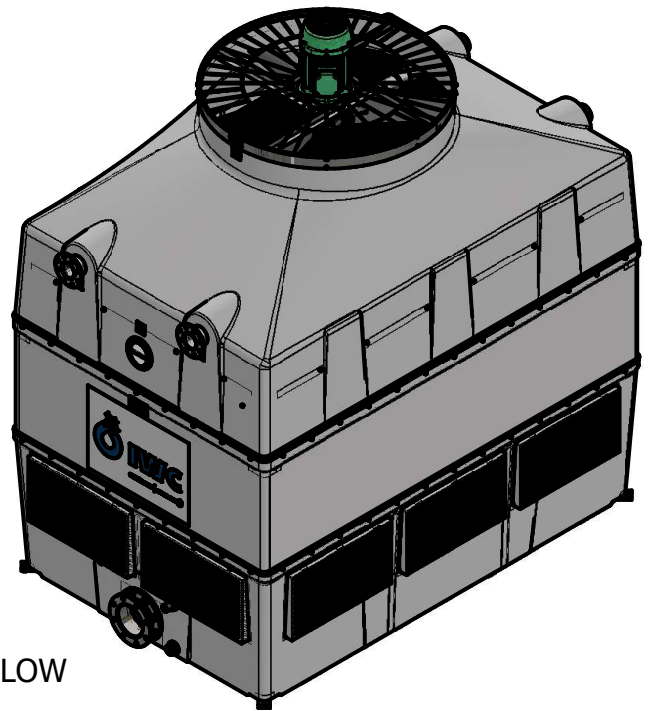
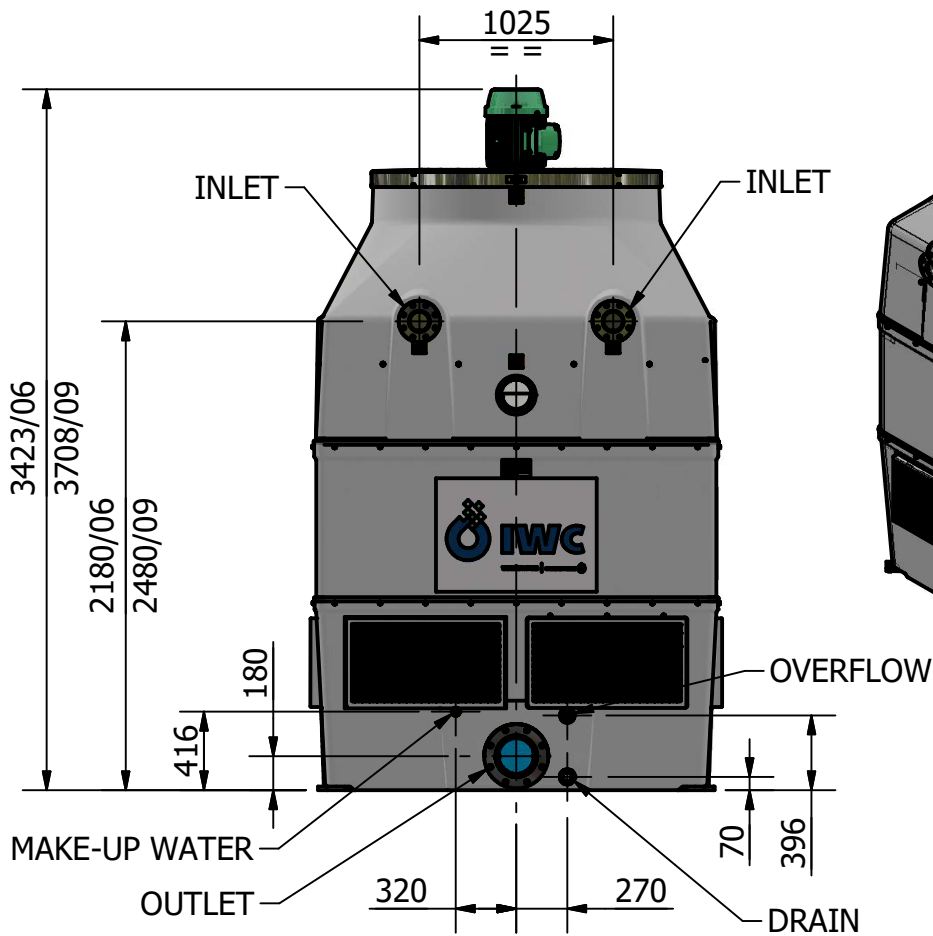


FOOT PRINT



MODEL	MOTOR SIZE	INLET SIZE	OUTLET SIZE	DRAIN SIZE	OVERFLOW SIZE	M/UP WATER SIZE	MAX. OPERATING WEIGHT	MAX. SHIPPING WEIGHT
EWK661/06-20	7.5kW	DN100 SANS 1123/1000	DN200 SANS 1123/1000	DN50 BSP (M)	DN40 BSP (M)	DN25	4280kg	1100kg
EWK661/09-30				c/w CAP			4375kg	1195kg